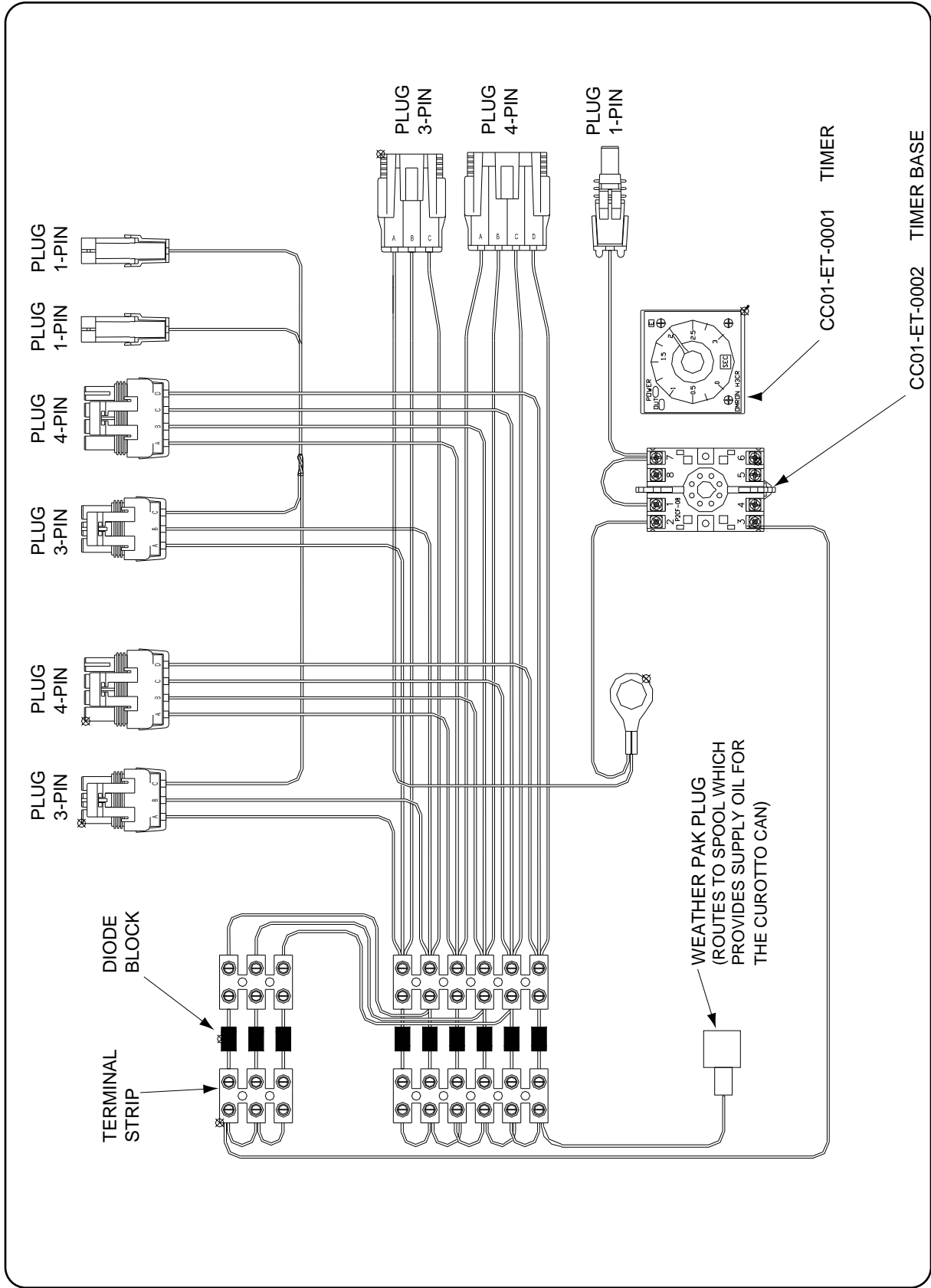


DIODE BLOCK HARNESS WITH DUAL CONTROLS AC8-A311-DC



ELECTRICAL: DIODE BLOCK HARNESS WITHOPTIONAL DUAL CONTROLS AC8-A311-DC