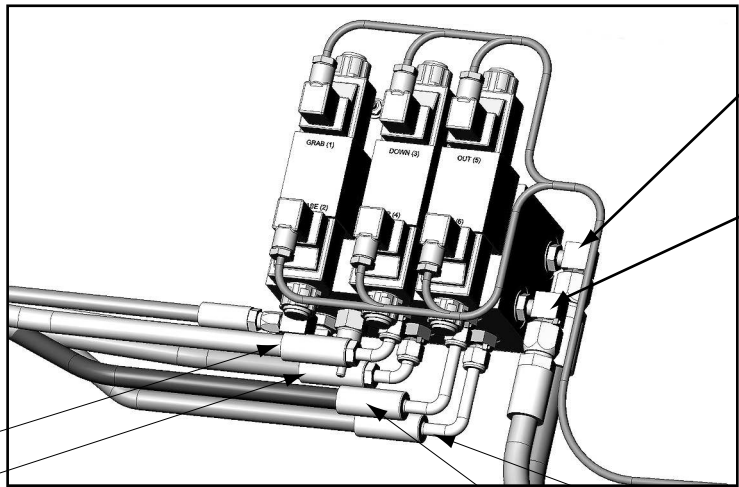


HYDRAULIC

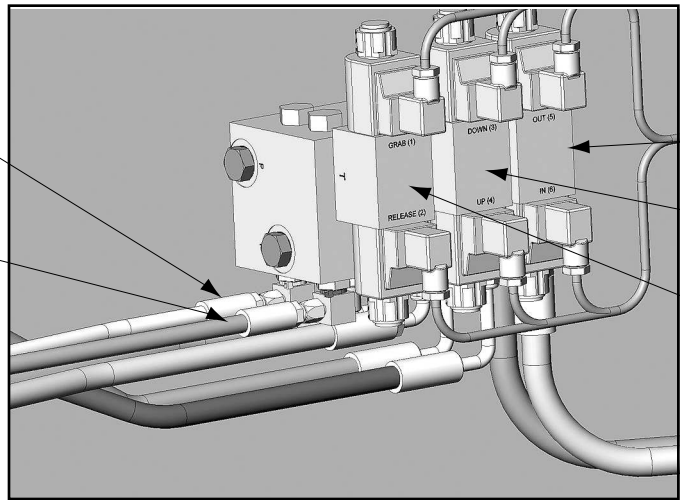


MAIN PRESSURE "P" PORT

MAIN RETURN "T" PORT

LIFT DOWN (IN FRONT)
LIFT UP (IN BACK)

SLIDE OUT (IN BACK)
SLIDE IN (IN FRONT)



GRIP CLOSE (IN BACK)

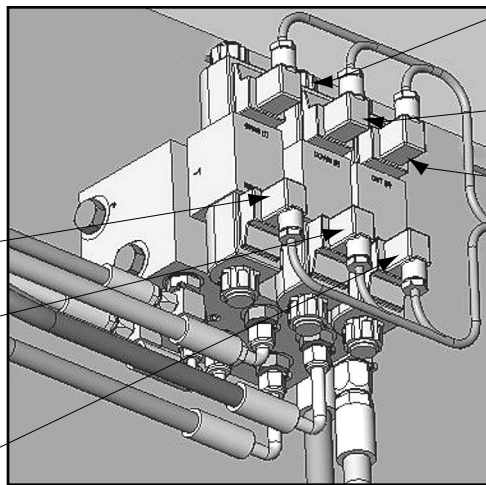
GRIP RELEASE (IN FRONT)

SLIDE

LIFT

GRIP

ELECTRICAL



GRIP CLOSE (red-white)

LIFT DOWN (blue-white)

SLIDE OUT (brown-white)

GRIP RELEASE (green-white)

LIFT UP (yellow-white)

SLIDE IN (black-white)