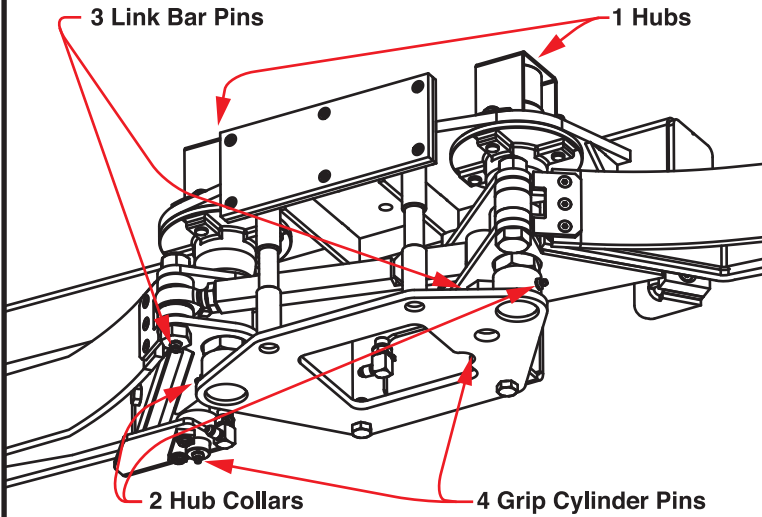
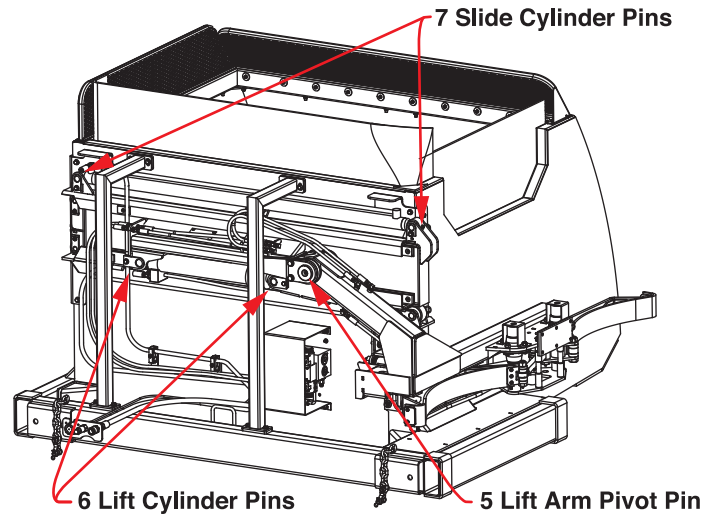


WEEKLY LUBRICATION POINTS

Always Complete an Operational Lock-out and Tag-out Before Greasing



Gripper Head Assembly



Slide Track And Lift Arm Assembly

Gripper Head Assembly

Weekly

1	Hubs (2 hubs forward and rear)	X
2	Hub Collars (2 collars forward and rear)	X
3	Link Bar Pins (2 pins forward and rear)	X
4	Grip Cylinder Pins (2 pins rod and barrel ends)	X
Slide Track and Lift Arm Assembly		
5	Lift Arm Pivot Pin (1 pin)	X
6	Lift Cylinder Pins (2 pins rod and barrel ends)	X
7	Slide Cylinder Pins (2 pins rod and barrel ends)	X
8	Check oil level in hydraulic tank and complete body grease schedule according to OEM specifications	X

For further information consult the Parts and Service Manual

Failure to comply with the Curotto-Can specified lubrication schedule and lubrication points will result in premature wear and void Warranty